

BUILDERS' LEVELS
LASER ACCESSORIES
TRIPODS
SURVEYING EQUIPMENT
MEASURING TOOLS

120 Years Jahre Ans
Nedo
Made in Germany

1901 - 2021



CATALOG
2021/2022



NEDO: THE COMPANY

Surveying equipment made in Dornstetten, Germany

120 Years Jahre Ans
Nedo
Made in Germany

1901 - 2021

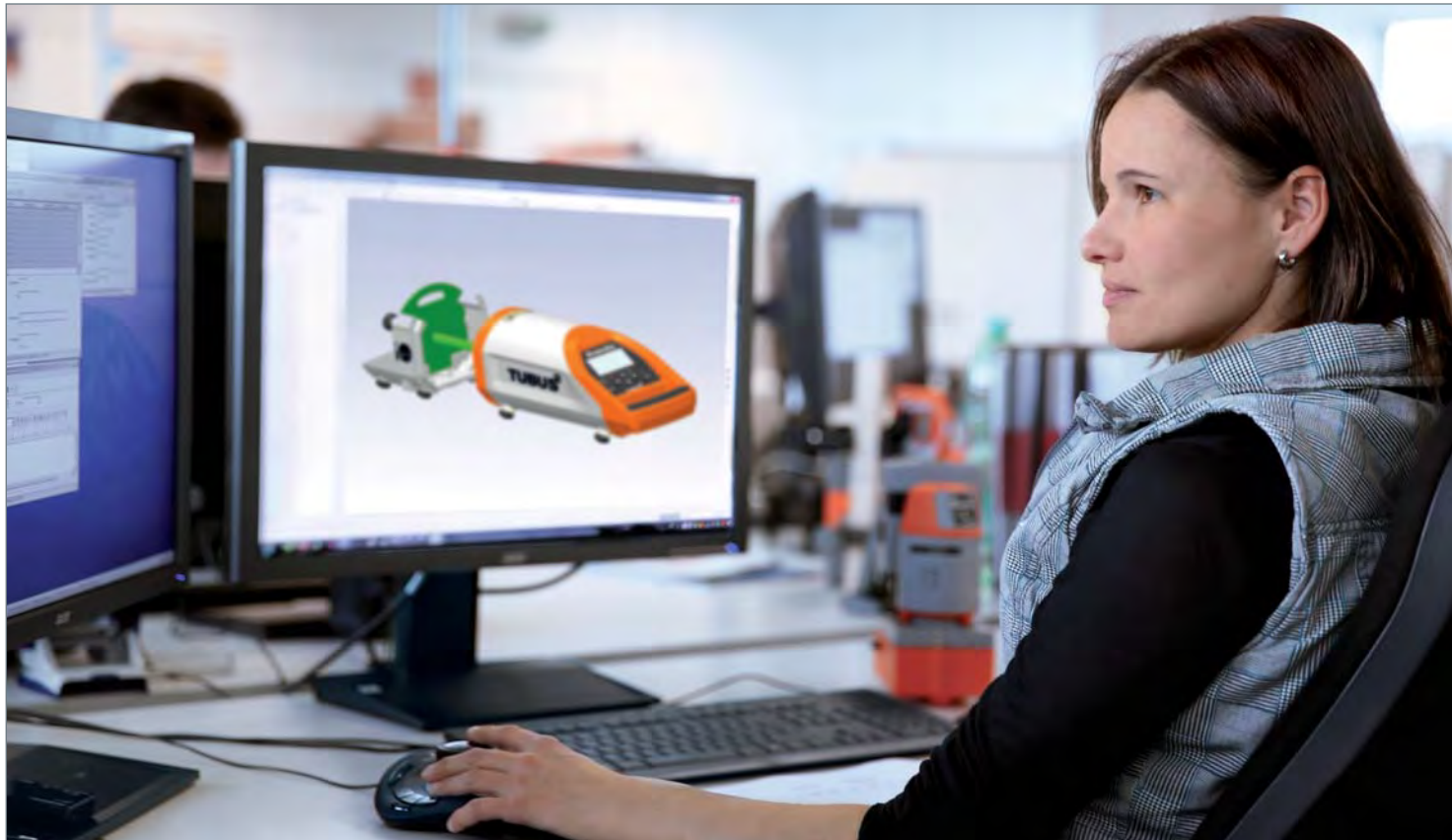
For 120 years, the Nedo brand has stood for intelligent surveying equipment of outstanding quality, made in Dornstetten, Germany. Since 1901 Nedo and its owners, the Fischer Family, have stood for fairness, reliability and focus on customers.

Today, surveying engineers and construction professionals in more than 100 countries rely on Nedo products every day to perform a wide range of measuring tasks. They value Nedo products for their quality, reliability and ease of use. Nedo products are distributed globally through a network of experienced surveying equipment dealers. Our Kentucky based sales office and logistics center supports our dealers and distributors in the USA and Canada.



Dipl.- Wirtschafts-Ing. Frank Fischer
President

Dr. Ing. Thomas Fischer
President



Engineering expertise

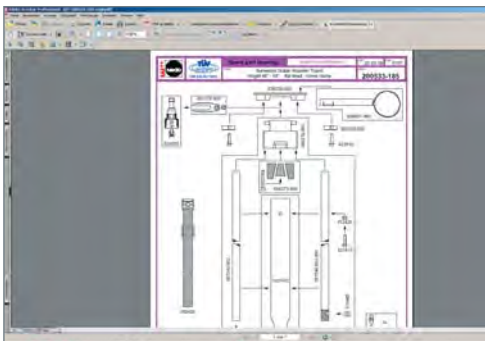
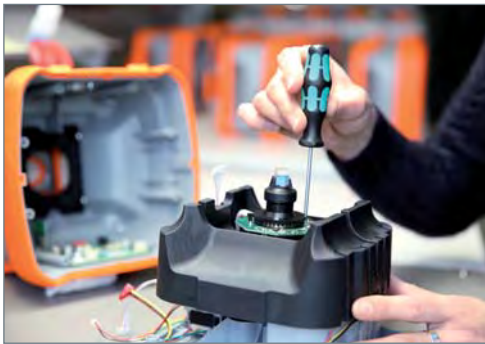
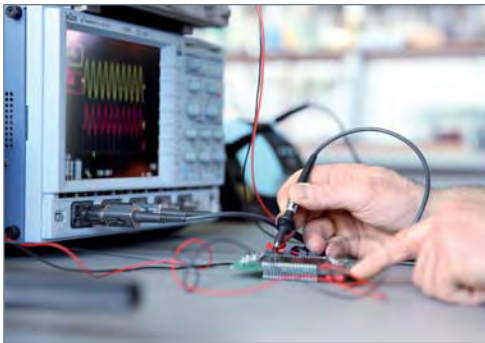
The path from idea to production-ready product is often long and difficult. From the initial design to final testing by critical craftsmen and surveying engineers, our ten-member interdisciplinary development team has to solve a host of problems and work out creative solutions. Our engineers and developers apply in-depth knowledge and experience from areas such as mechanical engineering, electrical engineering, mechatronics, optics and optoelectronics. In addition, we apply our broad-based manufacturing know-how to the development process, ensuring already in the development stage that our products can be manufactured economically and at a consistent level of quality.

We pay special attention to simple and intuitive handling, reliability under harsh site conditions and functional design. Our developers and engineers have won a number of prizes for excellent design, including the **Red Dot Design Award** and the **Baden-Württemberg International Design Prize**. They are proud of their achievements and determined to maintain these standards in the future.

We will gladly make our expertise available to customers who would like us to develop special products.

Nedo's premises in Dornstetten

Our premises in Dornstetten cover an area of more than 13 acres. Seven buildings with a total of 170.000 sq ft are devoted to development, production, logistics and administration.



Manufacturing know-how

Nedo manufactures high-tech products at plants in Germany and Switzerland. Its highly motivated employees receive continuous further training and use state-of-the-art technology.

Our corporate culture emphasizes optimally structured production processes, efficient logistics and an uncompromising commitment to quality. By means of Nedo's continuous improvement process, our employees are constantly finding ways to optimize company operations.

Needless to say, Nedo's quality management system is certified to DIN EN ISO 9001:2015.

Instead of relocating our production to low-wage countries, we have made substantial investments in our plants in Germany and Switzerland, and we have continuously improved the competitiveness of our production locations through rigorous cost management. Thanks to our large vertical range of manufacture we are independent of suppliers to a high degree. Production processes which are critical to product quality are kept under the direct control of our staff rather than being outsourced to other companies. For our customers this means highly reliable products, strict adherence to delivery deadlines and flexibility when it comes to fulfilling special requests.

Focus on customer satisfaction

From the early days until the present date, we have always focused on our customers' needs. Reliable and consistent product quality, on time deliveries and availability of spare parts are key factors to our success.

Our strategically chosen location in Louisville, KY allows us to ship your orders to any location within the U.S. and Canada in a timely manner. Our well trained sales team takes care of your needs and does whatever it takes to exceed your expectations. Spare part schematics are just one click away and can be accessed through the dealer log-in on our web page www.usa.nedo.com.



08

BUILDERS' LEVELS

- 10 Builders' Levels F-Series
- 11 Builders' Levels Z-Series

12

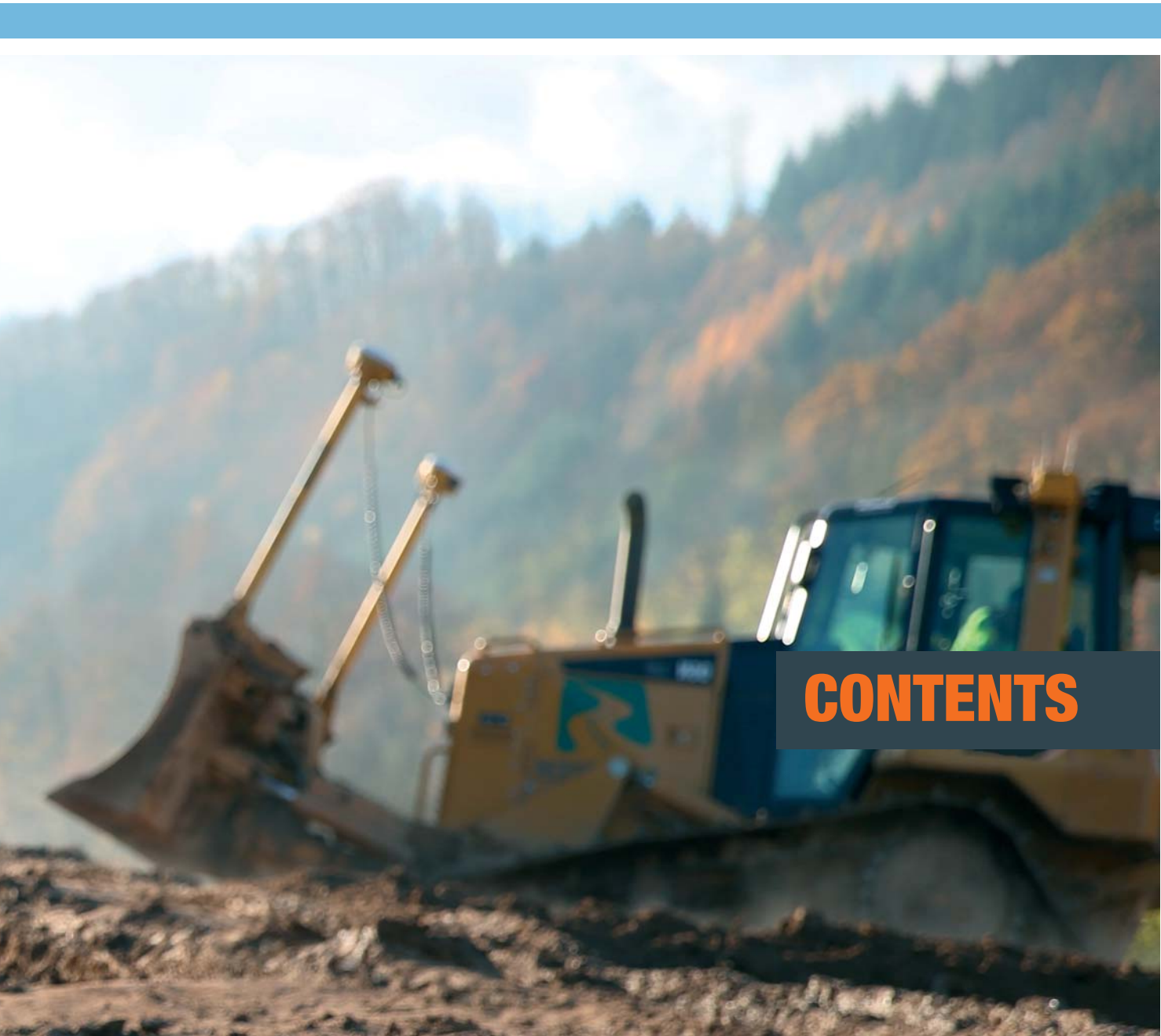
LASER RECEIVERS

- 14 Ruggedized Laser Receiver ACCEPTOR 2
- 15 Easy-To-Read Laser Rod

16

TRIPODS

- 20 Heavy-Duty Wooden Tripod
- 20 Surveyors' Grade Wooden Tripods
- 22 Aluminum Tripods
- 24 Elevating Tripods
- 26 Jumbo Tripod
- 27 Carbon line Tripod
- 28 Industrial Line Elevating Tripod
- 32 Accessories for Tripods



CONTENTS

34

SURVEYING EQUIPMENT

- 36 Fiberglass Leveling Rods
- 37 Aluminum Leveling Rods
- 38 Precision Invar Leveling Rods
- 40 LumiScale
- 42 Accessories for Leveling Rods
- 42 Prism Poles
- 43 Surveying Accessories

44

MEASURING TOOLS

- 46 mEasure-Fix
- 47 mEasure-Fix *compact 10*
- 48 mEsstronic
- 49 Accessories for Nedo mEsstronic
- 50 Winkelfix
- 51 Winkeltronic



BUILDERS' LEVELS

Focus on Precision

Nedo offers an attractive range of automatic leveling instruments. All Nedo levels have high quality optical components which ensure plenty light gathering power. In order to meet differing needs in terms of robustness and accuracy, Nedo offers two different level series with different magnifications:

F-Series: State-of-the-art automatic builders' level with powerful optics and metal housing.

Sturdy and reliable for tough jobs on every construction site.

Z-Series: Automatic engineers' levels that meet the highest quality standards.

Protected against dust and jet water as per IP X6.

	Working environment	
	tough	extremely tough and humid environment
Builders' Levels F-Series	✓	
Engineers' Levels Z-Series	✓	✓





Tough!
With metal housing

Nedo Builders' Levels F-Series

Nedo **F-Series levels** feature first-class optics with 24x, 28x or 32x magnification, sturdy metal housing, a top-quality magnetic-damped compensator and a modern design. Just right for use under tough conditions.

Features:

- Automatic builders' level with 24x, 28x or 32x magnification
- Bright optics with large objective aperture
- Sturdy, reliable magnetic-damped compensator
- Sturdy metal housing
- High-contrast image
- Inspection record
- Comes with plumb bob, adjusting pin and robust case
- Available as a set with rod and tripod upon request

Nedo Builders' Levels F-Series

	F24	F28	F32
Ref.-No.	460 778-613	460 796-613	460 798-613
Magnification	24x	28x	32x
Clear objective aperture	30 mm	30 mm	40 mm
Minimum focusing distance	23.6" / 0.6 m	23.6" / 0.6 m	23.6" / 0.6 m
Stadia constant	100	100	100
Compensator range	± 15'	± 15'	± 15'
Compensator setting accuracy	± 0.5"	± 0.3"	± 0.3"
Horizontal circle	360°	360°	360°
Sensitivity of circular bubble	8'/0.08" / 8'/2 mm	8'/0.08" / 8'/2 mm	8'/0.08" / 8'/2 mm
Accuracy 1 km Double run leveling standard Deviation	± 2.5 mm	± 2.0 mm	± 1.5 mm
Protection class	IP 54	IP 54	IP 54
Weight	2.8 lbs. / 1.26 kg	2.8 lbs. / 1.26 kg	2.8 lbs. / 1.26 kg
Connecting thread	5/8" x 11	5/8" x 11	5/8" x 11



Scope of delivery:
Carrying case, lens cover, plumb bob,
allen key, adjusting pin



**Tough and
jet water proof!**



Nedo Engineers' Levels Z-Series

Nedo **Z-Series levels** are premium engineers' levels that meet the most exacting demands. All Nedo **Z-Series levels** have an especially large aperture to provide plenty of light-gathering power, a rugged, air-damped compensator and a jet-water proof metal housing conforming to protection class IP X6. Perfect for extreme conditions like dust and rain.

Features:

- Automatic engineers' level with 28x or 32x magnification
- Bright optics with large objective aperture: 36 mm
- Sturdy, reliable air-damped compensator
- Sturdy metal housing
- Jet water and dust proof; IP X6
- High-contrast image
- Inspection record
- Comes with plumb bob, adjusting pin and robust case
- Available as a set with rod and tripod upon request

Nedo Engineers' Levels Z-Series

	Z28	Z32
Ref.-No.	460 757-185	460 758-185
Magnification	28x	32x
Clear objective aperture	36 mm	36 mm
Minimum focusing distance	25.6" / 0.65 m	25.6" / 0.65 m
Stadia constant	100	100
Compensator range	± 15'	± 15'
Compensator setting accuracy	± 0.4"	± 0.3"
Horizontal circle	360°	360°
Sensitivity of circular bubble	8'/0.08" / 8'/2 mm	8'/0.08" / 8'/2 mm
Accuracy 1 km Double run leveling standard Deviation	± 1.5 mm	± 1.0 mm
Protection class	IP X6	IP X6
Weight	3.8 lbs. / 1.75 kg	3.8 lbs. / 1.75 kg
Connecting thread	5/8" x 11	5/8" x 11



Scope of delivery:
Carrying case, lens cover, plumb bob,
allen key, adjusting pin



LASER RECEIVERS



Laser Accessories

Rotating lasers speed up leveling and aligning tasks on the construction site. However to increase efficiency significantly, robust and reliable laser accessories are important at least to the same extent.

Statistics show that the life span of a laser receiver is just 1/3 of a rotating laser. Nedo offers extremely robust and durable laser receivers which are perfect for those construction professionals who are tired of poor quality.

In combination with a laser receiver, Nedo's unique Easy-To-Read Laser Rod measures and displays the height of the laser plane above ground up to 16.7'. Perfect for applications in civil engineer, such as digging trenches or foundations.





Nedo ACCEPTOR 2 is the ruggedized all purpose laser receiver for tough jobs.



Ruggedized Laser Receiver ACCEPTOR 2

If you are tired of poor laser receivers, which are not rugged enough when it really gets tough on the construction site here is the alternative: Nedo's ruggedized all purpose laser receiver ACCEPTOR 2 with all metal, heavy-duty rod clamp.

Thanks to the highly impact resistant housing with protective rubber bracing Nedo ACCEPTOR 2 is extremely robust and waterproof to IP 67 standards. Perfect for use under extremely tough conditions.

But it's not just the laser receiver it's the clamp that makes a world of difference. The all metal, heavy-duty clamp is practically indestructible.

Built-in, very strong magnets allow for attaching the laser receiver ACCEPTOR 2 to girders. Perfect for all kind of steel structures. Thanks to the patented design Nedo ACCEPTOR 2 can be placed flat against a wall without removing the clamp. Nedo ACCEPTOR 2 is the ruggedized all purpose laser receiver, full of innovative ideas and compatible with all rotating red lasers.

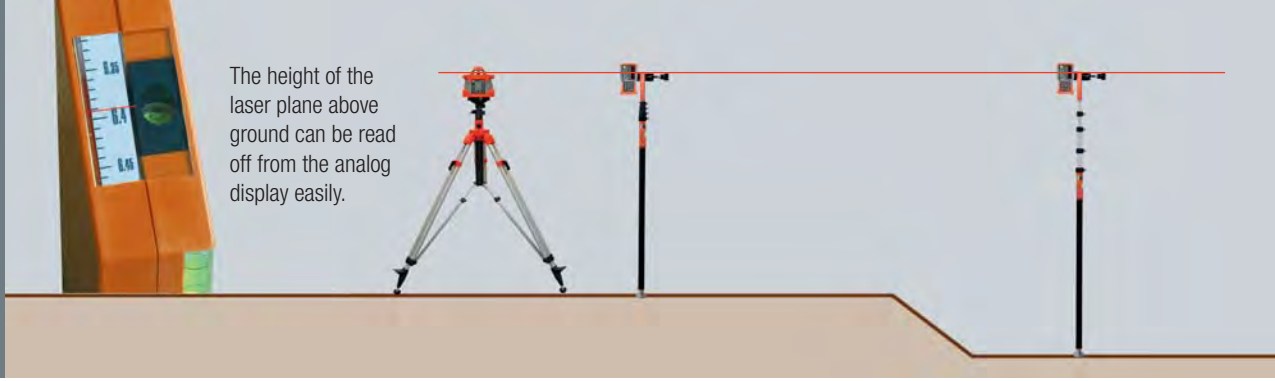
Features:

- Extremely robust laser receiver
- Large detector field: 2" / 50 mm
- Large LC display on front and back
- Very bright LED display for easy reading: green for on grade, red for too high, orange for too low
- Adjustable volume
- Display of remaining battery power
- Strong magnets for fixing to steel girders
- Waterproof to IP 67 standards
- Two accuracy modes: coarse and fine
- Bubble for easy alignment
- Heavy-duty rod clamp made of aluminum

Ref.-No. 430 334 ACCEPTOR 2 with Heavy-duty rod clamp

Nedo ACCEPTOR 2

Ref.-No.	430 334
Accuracy	coarse $\pm 0.157''$ /fine $\pm 0.039''$ coarse ± 4.0 mm/fine ± 1.0 mm
Working range	\varnothing 1800 ft./550 m (depends on laser)
Length of detector field	1.97" / 50 mm
Protection class	IP 67
Operating temperature	-4°F to 122°F / -20°C to +50°C
Power supply	2 x 1.5 V (AA)
Operation duration	approx. 120 h (batteries) approx. 100 h (rechargeable batteries)



The height of the laser plane above ground can be read off from the analog display easily.

Nedo Easy-To-Read Laser Rod

Nedo **Easy-To-Read Laser Rod** is a robust telescopic measuring stick for determining the height of the laser plane above ground. Perfect for use in excavation jobs, leveling and civil engineering projects.

Simply attach any laser receiver to the **Easy-To-Read Laser Rod** and position the detector in the laser plane by means of telescopic sections. The height of the laser plane above ground can be read off from the analog display.

Quick, simple and precise.

In order to avoid unintentional changes in the extended length, the telescopes are equipped with a clamping screw to ensure a secure hold. The vertical position is maintained thanks to the circular bubble.



The universal adapter allows to attach all kinds of laser receivers to the **Easy-To-Read Laser Rod**.

Features:

- Robust telescopic laser rod with easy-to-read analog display
- Robust anodized telescopic sections
- Locking screws to lock telescopic sections in any position
- Circular bubble for easy vertical set up
- Easy to operate
- Works with any laser and laser receiver

Nedo Easy-To-Read Laser Rod

Ref.-No.	Features	Min. length	Max. length
F 687 511-185	with universal adapter	4.5' / 1.37 m	16.7' / 5.17 m



TRIPODS



Get the Maximum Accuracy out of your Surveying Instrument

The stability of a tripod has great impact on the precision achieved with a leveling instrument, a construction laser, a total station or a 3D laser scanner. Depending on the type of instrument, tripods have to meet different requirements and specifications.

Bearing this in mind, Nedo has developed a unique range of tripods comprising wooden tripods, aluminum tripods, carbon tripods, elevating tripods and practical accessories.

The latest addition are Carbon Line tripods and Industrial Line elevating tripods which are designed specifically for use with 3D laser scanners.

No matter how different Nedo tripods may look like, they have one feature in common: **Stability to get the maximum accuracy out of your surveying instrument.**





Aluminum, Wood or Carbon?

Nedo aluminum tripods are lightweight, extremely robust and rigid. They are suitable for the use with builders' levels, rotating lasers and theodolites.

Surveyors however, prefer wooden tripods for high-precision instruments such as total stations, robotic total stations or digital levels. Wooden tripods feature a better damping behaviour and are less affected by temperature changes than aluminum tripods. The wooden parts of all Nedo wooden tripods are coated with a high-tech plastic material to protect them against moisture. This ensures that Nedo wooden tripods are extremely weatherproof, robust and durable.

When it comes to highly mobile 3D laser scanners weight becomes an important feature. Thanks to extremely lightweight carbon composite materials the new Nedo Carbon Line Tripod combines extremely low weight with unmatched stability.



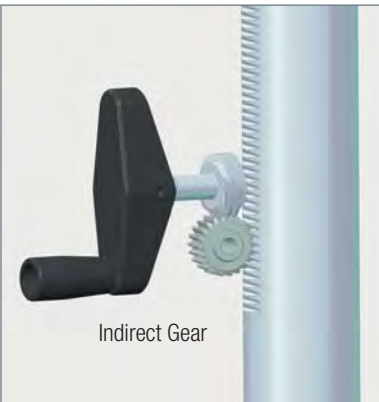
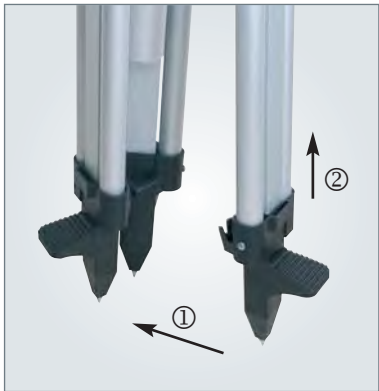
Standard or Elevating Tripod?

Nedo standard tripods with flat head are ideal for leveling tasks with builders' levels or horizontal lasers. Nedo elevating tripods are recommended for applications that require an exact adjustment of the instrument or laser to a certain working height, e.g. in ceiling construction and other installation work.

The desired working height, even of heavy rotating lasers or 3D laser scanners can be adjusted quickly and easily with Nedo elevating tripods.



**Break-proof
aluminum levers**



Details Which Matter

Nedo tripods set standards in terms of stability, reliability and extremely robust design. Furthermore, all Nedo tripods feature the following details which matter on the job:

- **Aluminum quick release levers: perfect for the use under tough conditions**
- **Brass hinge pins: robust and reliable**
- **Retaining screw with plumb bob hook that folds away to the side and snaps in place: perfect for the use of an optical or a laser plummet**
- **Nedo tripods for indoor use are equipped with a slip guard that prevents the tripod legs from spreading on slippery floors.**

Innovative Features

Many Nedo tripods are equipped with innovative features such as the Retract-And-Go® locking system which locks the tripod legs for transport. Neither bending your back nor closing a strap is required to lock the tripod legs for transport.

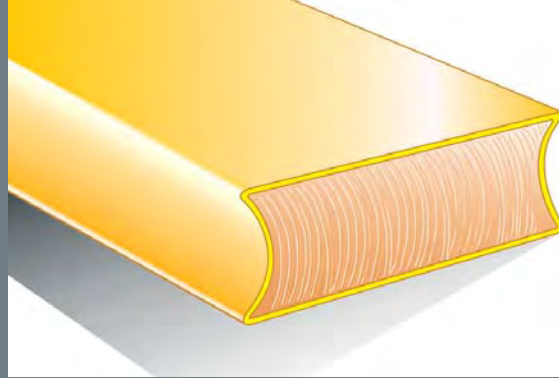
Thanks to the Retract-And-Go® locking system the tripod legs keep in position automatically when being retracted. To spread the legs just open the quick release of the imprinted tripod leg and pull out the center leg.

Retract-And-Go® – quick, easy, maximum comfort.

Elevating Tripods with Indirect Gear

All Nedo elevating tripods are equipped with an indirect gear unit. A reduction gear in between the crank and the toothed rack allows for maximum convenience to set up even heavy rotating lasers at the desired working height. Furthermore the reduction gear unit prevents any unintended descent of the laser when the locking screw is released.

Nedo wooden tripods are made of carefully selected European ash wood. All wooden parts are sealed with a high-tech plastic material that keeps moisture out. This ensures that there is no swelling, shrinking or splintering of wood and it makes Nedo wooden tripods extremely robust and weatherproof. Nedo wooden tripods are more durable than tripods with regular lacquering.



Heavy-Duty and Surveyors' Grade Wooden Tripods



Heavy-Duty Wooden Tripod with Quick Clamp
Ref.-No. 200 100-185

- Min. effective height approx. 40" / 1.02 m
- Max. effective height approx. 65" / 1.65 m
- Retracted length approx. 43" / 1.09 m
- Holding screw: 5/8" x 11 thread
- Weight approx. 12 lbs. / 5.40 kg
- Tripod head flat, Ø 5.5" / 140 mm

Features:

- Wooden parts made of finest European hard wood
- Plastic-coated wooden legs for utmost durability
- Tripod head made of aluminum, powder-coated
- Break-proof quick release levers, made of aluminum
- Brass hinge pins for extra stability
- Tripod shoes made of aluminum w/ replaceable steel points
- Carrying strap
- In accordance with ISO 12858-2-LF

Suitable for:

- Digital levels
- Builders' levels
- Theodolites
- Total stations



Fixed Leg Tripod Ref.-No. 200 511

- Min. effective height approx. 60" / 1.53 m
- Max. effective height approx. 63" / 1,63 m
- Holding screw: 5/8" x 11 thread
- Weight approx. 15 lbs. / 6.70 kg
- Tripod head flat, Ø 6.5" / 167 mm

Features:

- Wooden parts made of finest European hard wood
- Plastic-coated wooden legs for utmost durability
- Large round tripod head made of aluminum, powder-coated
- Snap Cap
- Fixed legs for first order leveling applications
- Brass hinge pins for extra stability
- Tripod shoes made of aluminum w/ replaceable steel points

Suitable for:

- Digital levels
- Theodolites
- Total stations



Surveyors' Grade Wooden Tripods



Surveyors' Grade Wooden Tripod with Quick Clamp Ref.-No. 200 513-185

- Min. effective height approx. 40" / 1.02 m
- Max. effective height approx. 67" / 1.67 m
- Retracted length approx. 44" / 1.10 m
- Holding screw: 5/8" x 11 thread
- Weight approx. 17 lbs. / 7.60 kg
- Tripod head flat, Ø 6.5" / 67 mm

Features:

- Wooden parts made of finest European hard wood
- Plastic-coated wooden legs for utmost durability
- Large round tripod head made of aluminum, powder-coated
- Snap Cap
- Break-proof quick release levers, made of aluminum
- Brass hinge pins for extra stability
- Tripod shoes made of aluminum w/ replaceable steel points
- Carrying strap
- In accordance with ISO 12858-2-H

Suitable for:

- Total stations
- Robotic total stations
- Digital levels
- Theodolites
- Heavy-duty rotating lasers



Surveyors' Grade Wooden Tripod with Screw Clamp Ref.-No. 200 533-185

- Min. effective height approx. 40" / 1.05 m
- Max. effective height approx. 67" / 1.70 m
- Retracted length approx. 44" / 1.12 m
- Holding screw: 5/8" x 11 thread
- Weight approx. 17 lbs. / 7.10 kg
- Tripod head flat, Ø 6.5" / 167 mm

Features:

- Wooden parts made of finest European hard wood
- Plastic-coated wooden legs for utmost durability
- Large round tripod head made of aluminum, powder-coated
- Durable screw clamp
- Snap Cap
- Brass hinge pins for extra stability
- Tripod shoes made of aluminum w/ replaceable steel points
- Carrying strap
- In accordance with ISO 12858-2-H

Suitable for:

- Total stations
- Robotic total stations
- Digital levels
- Theodolites
- Heavy-duty rotating lasers



Surveyors' Grade Wooden Tripod with Dual Clamp Ref.-No. 200 534-185

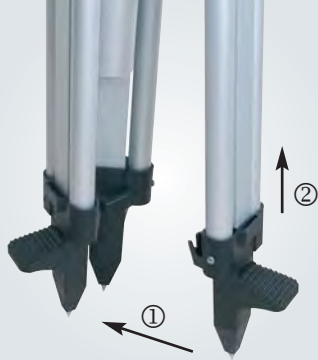
- Min. effective height approx. 40" / 1.00 m
- Max. effective height approx. 67" / 1.70 m
- Retracted length approx. 44" / 1.10 m
- Holding screw: 5/8" x 11 thread
- Weight approx. 17 lbs. / 7.70 kg
- Tripod head flat, Ø 6.5" / 167 mm

Features:

- Wooden parts made of finest European hard wood
- Plastic-coated wooden legs for utmost durability
- Large round tripod head made of aluminum, powder-coated
- Dual clamp: quick release and screw clamp
- Break-proof quick release levers, made of aluminum
- Snap Cap
- Brass hinge pins for extra stability
- Tripod shoes made of aluminum w/ replaceable steel points
- Carrying strap
- In accordance with ISO 12858-2-H

Suitable for:

- Total stations
- Robotic total stations
- Digital levels
- Theodolites
- Heavy-duty rotating lasers



Retract-And-Go® is a new and innovative locking system that locks the tripod legs for transport.

Neither bending your back nor closing a strap is required to lock the tripod legs for transport.

Thanks to the **Retract-And-Go®** locking system, the tripod legs keep in position automatically when being retracted. To spread the legs, just open the quick release of the imprinted tripod leg and pull out the center leg. Now you may spread all three legs of the tripod.

Retract-And-Go® - quick, easy, maximum comfort.

Aluminum Tripods



Short Medium-Duty Aluminum Tripod with Quick Clamp Ref.-No. 200 631

- Min. effective height approx. 21" / 0.53 m
- Max. effective height approx. 33" / 0.85 m
- Retracted length approx. 24" / 0.61 m
- Holding screw: 5/8" x 11 thread
- Weight approx. 5.3 lbs. / 2.4 kg
- Tripod head flat, Ø 5.5" / 140 mm

Features:

- Strong aluminum extension legs, silver anodized
- Tripod head made of aluminum, powder-coated
- Break-proof quick release levers, made of aluminum
- Brass hinge pins for extra stability
- Tripod shoes made of high-tech plastic material w/ steel points
- Retract-and-go transport locking system

Suitable for:

- Dot and line lasers
- Rotating lasers



Short Heavy-Duty Aluminum Tripod with Quick Clamp Ref.-No. 200 412

- Min. effective height approx. 31" / 0.80 m
- Max. effective height approx. 47" / 1.20 m
- Retracted length approx. 32" / 0.80 m
- Holding screw: 5/8" x 11 thread
- Weight approx. 8.8 lbs. / 4.00 kg
- Tripod head flat, Ø 5.5" / 140 mm

Features:

- Strong aluminum extension legs, silver anodized
- Tripod head made of aluminum, powder-coated
- Break-proof quick release levers, made of aluminum
- Brass hinge pins for extra stability
- Tripod shoes made of aluminum w/ replaceable steel points

Suitable for:

- Dot and line lasers
- Rotating lasers



Medium-Duty Aluminum Tripod with Quick Clamp Ref.-No. 200 221

- Min. effective height approx. 36" / 0.91 m
- Max. effective height approx. 6.6" / 1.69 m
- Retracted length approx. 42" / 1.06 m
- Holding screw: 5/8" x 11 thread
- Weight approx. 7.5 lbs. / 3.40 kg
- Tripod head flat, Ø 5.5" / 140 mm

Features:

- Strong aluminum extension legs, silver anodized
- Tripod head made of aluminum, powder-coated
- Break-proof quick release levers, made of aluminum
- Brass hinge pins for extra stability
- Tripod shoes made of high-tech plastic material w/ steel points
- Retract-and-go transport locking system

Suitable for:

- Builders' levels
- Rotating lasers



Aluminum Tripods



**Heavy-Duty Aluminum Tripod
with Quick Clamp Ref.-No. 200 225**

- Min. effective height approx. 35" / 0.91 m
- Max. effective height approx. 66" / 1.70 m
- Retracted length approx. 42" / 1.00 m
- Holding screw: 5/8" x 11 thread
- Weight approx. 8 lbs. / 3.6 kg
- Tripod head flat, Ø 5.5" / 140 mm

Features:

- Strong aluminum extension legs, silver anodized
- Tripod head made of aluminum, powder-coated
- Break-proof quick release levers, made of aluminum
- Brass hinge pins for extra stability
- Tripod shoes made of aluminum
- Carrying strap
- Retract-and-go transport locking system

Suitable for:

- Builders' levels
- Rotating lasers
- Theodolites



**Heavy-Duty Aluminum Tripod
with Quick Clamp Ref.-No. 200 200-185**

- Min. effective height approx. 43" / 1.10 m
- Max. effective height approx. 68" / 1.70 m
- Retracted length approx. 45" / 1.10 m
- Holding screw: 5/8" x 11 thread
- Weight approx. 11 lbs. / 5.00 kg
- Tripod head flat, Ø 5.5" / 140 mm

Features:

- Strong aluminum extension legs, silver anodized
- Tripod head made of aluminum, powder-coated
- Break-proof quick release levers, made of aluminum
- Brass hinge pins for extra stability
- Tripod shoes made of aluminum w/ replaceable steel points
- In accordance with ISO 12858-2-LF

Suitable for:

- Builders' levels
- Rotating lasers
- Theodolites



**Surveyors' Grade Aluminum Tripod
with Quick Clamp Ref.-No. 200 204-185**

- Min. effective height approx 40" / 1.02 m
- Max. effective height approx. 67" / 1.70 m
- Retracted length approx. 45" / 1.10 m
- Holding screw: 5/8" x 11 thread
- Weight approx. 11.5 lbs. / 5.20 kg
- Tripod head flat, Ø 6.5" / 167 mm

Features:

- Strong aluminum extension legs, silver anodized
- Large round tripod head made of aluminum, powder-coated
- Snap Cap
- Break-proof quick release levers, made of aluminum
- Brass hinge pins for extra stability
- Tripod shoes made of aluminum w/ replaceable steel point
- Carrying strap
- In accordance with ISO 12858-2-H

Suitable for:

- Builders' levels
- Theodolites
- Total stations
- Rotating lasers

Nedo elevating tripods are extremely robust and can withstand extremely adverse working conditions on a construction site. Highly stressed components such as the tripod plate, head with elevating gear, crank and of course the quick-clamping levers are made of strong aluminum.



Elevating Tripods



Medium-Duty Elevating Tripod
Ref.-No. 210 616-185

- Min. effective height approx. 31" / 0.80 m
- Max. effective height approx. 80" / 2.00 m
- Retracted length approx. 40" / 1.00 m
- Holding screw: 5/8" x 11 thread
- Weight approx. 11 lbs. / 5.10 kg
- Tripod plate, Ø 4.3" / 110 mm
- Telescopic section 1-fold
- Adjustable column range 22" / 555 mm

Features:

- Indirect gear unit for easy handling
- Inch and mm scale on elevating column
- Circular bubble
- Strong aluminum extension legs, silver anodized
- Tripod head and plate made of aluminum, powder-coated
- Break-proof quick release levers, made of aluminum
- Brass hinge pins for extra stability
- Tripod shoes made of high-tech plastic material w/ steel points
- Slip guard
- Retract-and-go transport locking system

Suitable for:

- Rotating lasers



Medium-Duty Elevating Tripod
Ref.-No. 210 676-185

- Min. effective height approx. 35" / 0.90 m
- Max. effective height approx. 93" / 2.40 m
- Retracted length approx. 47" / 1.20 m
- Holding screw: 5/8" x 11 thread
- Weight approx. 12.5 lbs. / 5.70 kg
- Tripod plate, Ø 4.3" / 110 mm
- Telescopic section 1-fold
- Adjustable column range 21" / 545 mm

Features:

- Indirect gear unit
- Inch and mm scale on elevating column
- Circular bubble
- Strong aluminum extension legs, silver anodized
- Tripod head and plate made of aluminum, powder-coated
- Break-proof quick release levers, made of aluminum
- Brass hinge pins for extra stability
- Tripod shoes made of aluminum
- Slip guard
- Retract-and-go transport locking system

Suitable for:

- Rotating lasers



Heavy-Duty Elevating Tripod
Ref.-No. 210 678-185

- Min. effective height approx. 40" / 1.01 m
- Max. effective height approx. 116" / 2.94 m
- Retracted length approx. 52" / 1.32 m
- Holding screw: 5/8" x 11 thread
- Weight approx. 16 lbs. / 7.44 kg
- Tripod plate, Ø 4.3" / 110 mm
- Telescopic section 2-fold
- Adjustable column range 20" / 19" 520 / 490 mm

Features:

- Indirect gear unit
- Double telescope for a wide working range
- Inch and mm scale on elevating column
- Circular bubble
- Strong aluminum extension legs, silver anodized
- Tripod head and plate made of aluminum, powder-coated
- Break-proof quick release levers, made of aluminum
- Brass hinge pins for extra stability
- Combi tripod shoes for all-terrain use
- Slip guard

Suitable for:

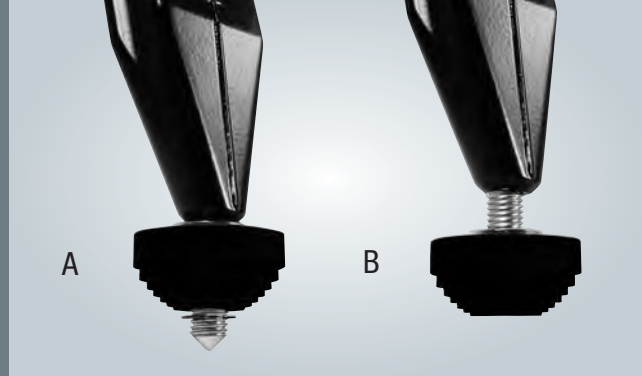
- Rotating lasers

Nedo heavy-duty and extra heavy-duty elevating tripods are equipped with combi tripod shoes for all-terrain use.

For work on uneven outdoor terrain activate the steel points by screwing in the rubber balls (fig. A). Hide the steel points with the rubber balls when working on smooth or sensitive floors (fig. B).

Also available to upgrade all Nedo tripods with replaceable steel points.

Ref.-No. 660 121



Elevating Tripods



Extra Heavy-Duty Elevating Tripod for Lasers and Laser Scanners Ref.-No. 210 683-185

- Min. effective height approx. 33" / 0.90 m
- Max. effective height approx. 119" / 3.10 m
- Retracted length approx. 52" / 1.30 m
- Weight approx. 19 lbs. / 8.6 kg
- Holding screw: 5/8" x 11 thread
- Tripod plate, Ø 4.3" / 110 mm
- Telescopic section 2-fold
- Adjustable column range 23" / 23"
575 / 590 mm

Features:

- Indirect gear unit, reinforced for easy handling and less wear and tear
- Double telescope for a wide working range
- Additional leg struts for extra stability
- Inch and mm scale on elevating column
- Circular bubble
- Strong aluminum extension legs, silver anodized
- Tripod head and plate made of aluminum, powder-coated
- Break-proof quick release levers, made of aluminum
- Brass hinge pins for extra stability
- Combi tripod shoes for all terrain use

Suitable for:

- Rotating lasers
- Heavy rotating lasers
- 3D Laser Scanners



Giant Elevating Tripod for Lasers and Laser Scanners Ref.-No. 210 443-185

- Min. effective height approx. 70" / 1.77 m
- Max. effective height approx. 157" / 4.00 m
- Retracted length approx. 74" / 1.87 m
- Weight approx. 25 lbs. / 11.50 kg
- Holding screw: 5/8" x 11 thread
- Tripod plate, Ø 4.3" / 110 mm
- Telescopic section 2-fold
- Adjustable column range 23" / 23"
600 / 590 mm

Features:

- Indirect gear unit, reinforced for easy handling and less wear and tear
- Double telescope for a wide working range
- Additional leg struts for extra stability
- Inch and mm scale on elevating column
- Circular bubble
- Strong aluminum extension legs, silver anodized
- Tripod head and plate made of aluminum, powder-coated
- Break-proof quick release levers, made of aluminum
- Additional screw clamps
- Brass hinge pins for extra stability
- Tripod shoes made of aluminum w/ replaceable steel points

Suitable for:

- Rotating lasers
- Heavy rotating lasers
- 3D Laser Scanners

Rubber plates are available as an option to ensure stability even on slippery floors.



Jumbo Tripods

Tripods for Machine Control Applications

The sturdy design of the Jumbo tripod allows vibration-free use of the machine control laser, even in windy conditions. The large working height ensures that the laser beam does not lie in the shadow of construction vehicles or other obstacles. The indirect gear unit can easily move lasers to the required working height, even if they are heavy.

Nedo Jumbo Tripod: The heavy-duty elevating tripod for heavy-duty machine control lasers.

Circular level for simple alignment, even with an extended tripod



Tripod Ref.-No. 210 530-185

- Min. effective height approx. 47" / 1.20 m
- Max. effective height approx 122" / 3.10 m
- Retracted length approx. 60" / 1.50 m
- Holding screw: 5/8" x 11 thread
- Weight approx. 32 lbs. 14.6 kg
- Tripod plate, Ø 6.5" / 167 mm
- Adjust. column range 36" / 908 mm

Tripod Ref.-No. 210 540-185

- Min. effective height approx. 69" / 1.70 m
- Max. effective height approx. 160" / 4.00 m
- Retracted length approx. 78" / 1.90 m
- Holding screw: 5/8" x 11 thread
- Weight approx. 38 lbs. 17.2 kg
- Tripod plate, Ø 6.5" / 167 mm
- Adjust. column range 36" / 908 mm

Features Jumbo Tripods:

- Extra heavy-duty "Jumbo" design
- Indirect gear unit, reinforced, for easy handling and less wear and tear
- Twist-proof, reinforced elevating column with centric clamping
- Extra large tripod plate, Ø 6.5", made of aluminum, powder-coated
- Additional leg struts for extra stability
- Inch and mm scale on elevating column
- Circular bubble
- Strong reinforced aluminum extension legs, silver anodized
- Break-proof quick release levers, made of aluminum
- Brass hinge pins for extra stability
- Tripod shoes made of aluminum w/ replaceable steel points
- Rubber plates with ball joints available as an option

Set of 3 Rubber Plates with ball joints

The rubber material ensures stability on slippery surfaces and prevents damage to sensitive floors. Perfect for use with 3D laser scanners.

Thread M10.

Ref.-No. 660 010

Suitable for 210 530-185, 210 540-185, 210 443-185, 210 683-185 and 210 678-185





Large tripod head with 5.5" / 140 mm diameter and 5/8" connection thread.

Adjustable slip guard keeps the tripod legs from sliding away on smooth surfaces.



Very low weight



A padded carrying bag, adapter plate with 3/8" connection thread and three hex keys are supplied as standard.

carbon line 

Carbon Tripod for Laser Scanners

The new Nedo **Carbon Line tripod** was designed specifically for use with 3D laser scanners. Its high-quality tubular sections made of carbon-fiber-reinforced polymer (CFRP) make it especially lightweight and at the same time extremely rigid. The legs of the **Carbon Line tripod** pull out in four sections, giving it a working height from 21.25" to 65" (0.54 m to 1.65 m) with a transport length of only 23.5" (0.60 m).

An adjustable slip guard keeps the tripod legs from sliding away on smooth surfaces. Combi tripod shoes allow for an all terrain use on both, sensitive or slippery indoor floors and outdoors.

Nedo **Carbon Line tripod** features a large, removable tripod head with a diameter of 5.5" (140 mm) for secure mounting of instruments with a 5/8" connection thread. The standard equipment also includes a smaller top plate for instruments with a 3/8" connection thread. A padded carrying bag is included.

Features:

- Extremely light and robust tripod made of CFRP
- 4-section tripod legs
- Combi tripod feet
- Large top plate, 5.5" / 140 mm diameter, with 5/8" connection thread
- Small top plate, 3.0" / 74 mm diameter, with 3/8" connection thread
- Interchangeable head insert with 3/8" and 5/8" connection thread
- Spirit level
- Adjustable slip guard
- Two tripod legs with softgrip

Tripod Ref.-No. 200 700:

- Min. effective height approx. 21.25" / 0.54 m
- Max. effective height approx. 65" / 1.65 m
- Retracted length approx. 23.5" / 0.59 m
- Weight approx. 5.9 lbs. / 2.68 kg
- Holding screw: 5/8" thread and 3/8" thread (exchangeable)



industrial line

The 2-way elevating tripod perfect for 3D Laser Scanners

The new Industrial Line elevating tripod is designed especially for the use of 3D laser scanners. The laser scanner can be mounted either on top or underneath the 2-way elevating tripod ensuring maximum flexibility. When mounted at the top, the laser scanner can be easily lifted to the desired working height. The indirect gear unit allows for maximum convenience. For stability reasons, the maximum working height is limited to 13'.

For shaft applications, the column can be turned and the laser scanner mounted underneath the elevating column and inserted from above the shaft cover into the shaft compartment. The toothed rack extends to almost any length. Additional rack elements are inserted into the elevating head and securely connected to the previously inserted toothed rack element with the aid of an innovative locking device.

For even more comfort, the laser scanner can be lifted with a cordless power drill. A proper screw bit to replace the crank is supplied as a standard. Needless to say that the Industrial Line elevating tripod is equipped with a twist proof elevating column with centric clamping and combi tripod shoes for all-terrain use.



Circular level for simple alignment, even with an extended tripod



Industrial Line Elevating Tripod
Ref.-No. 210 710



Tripod Ref.-No. 210 710

- Min. effective height approx. 44" / 1.10 m
- Max. effective height approx. 197" / 5.00 m
- Depth of shaft approx. 157" / 4.00 m
- Retracted length approx. 48" / 1.22 m
- Holding screw: 5/8" x 11 thread
- Weight approx. 20 lbs. / 9.00 kg
- Tripod plate flat, Ø 4.3" / 110 mm
- mm graduation on telescopic tube



Video Industrial Line
elevating tripod

Scope of delivery Industrial Line elevating tripod:

Industrial Line elevating tripod with 1 elevating rack element already installed, 4 extra rack elements (1 m each), 5 mm allen key, magnetic bit holder for cordless screwdriver, hand crank, 5/8" to 3/8" adaptor, combi shoes and carrying bag for 4 rack elements

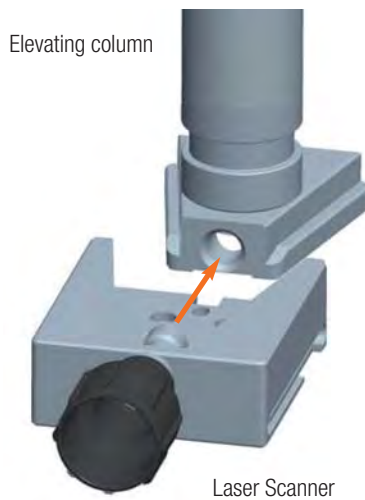
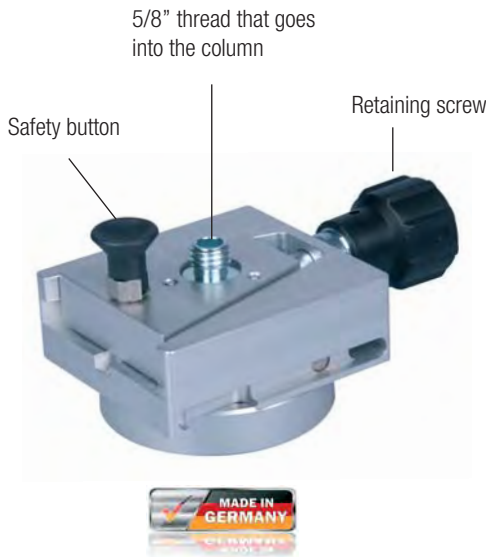


Adaptors for upside-down-use of 3D laser scanners with Industrial Line Elevating Tripods

Depending on the weight, attaching a 3D laser scanner in upside-down mode underneath an Industrial Line Elevating Tripod, by means of the connection thread, can be a difficult job. To reduce the risk of dropping the instrument and to facilitate the set up Nedo offers adaptors for upside-down use of various 3D laser scanners. The well thought adaptors consist of two components: the first component attaches to the elevating column, the second to the 3D laser scanner.

The wedge design shape with a dovetail groove ensures easy positioning of the scanner underneath the tripod; the safety button prevents the scanner from falling down accidentally. The retaining screw keeps the scanner in position.

Including Allen key to attach adaptor to scanner.



Nedo Adaptors for Laser Scanners

Ref.-No.	
660 040	Adaptor for Faro Focus 3D
660 041	Adaptor for Leica HDS6200 as well as Zoller and Fröhlich
660 042	Adaptor for Leica Scanstation P16, P20, P30 and P40
660 043	Adaptor for TRIMBLE TX8



Video Adaptors for Laser Scanners for Industrial Line elevating tripods



Tripod Dolly for Carbon Tripod

Sturdy tripod dolly with large steerable and lockable wheels.

Ref.-No. 660 035



Tripod Dolly for Industrial Line Tripod

Sturdy tripod dolly with large steerable and lockable wheels. The points of the tripod are placed in the recesses provided, and the shoes are secured with a flexible strap. Easy, safe and convenient.

The tripod dolly has only two shanks, allowing it to be maneuvered through narrow doors and providing easy access to a laser scanner. The dolly can be folded up to save space in transport.

Ref.-No. 660 030





Accessories for Industrial Line Elevating Tripods



Extra Rack element for Industrial Line Tripod

Extra rack element, 1m for Nedo two way elevating tripod Ref.-No. 210 710.

Ref.-No. 660 020



Transport Case

Transport case for 4 rack elements and accessories.
(Racks not included)

Ref.-No. 660 025



Adapter

Adapter with Leica tip
For attachment of a Leica-compatible prism
Perfect for quick positioning of a 3D scanner
using a total station.

Ref.-No. 660 050



5/8" to 3/8" Tripod adaptor

Tripod adaptor made of metal.

Order information:

- **Ref.-No. 061 837** Adaptor for 5/8" thread to 3/8" thread
(suitable for Faro Focus 3D and Trimble TX5)



Accessories for Tripods

Batter Board Holder for Rotating Lasers and Theodolites



Sturdy aluminium batter board holder with four clamping screws. Suitable for use with rotating lasers and theodolites.

Ref.-No. 461 051



Nedo Laser Grade Adaptor

Upgrade your horizontal laser into a slope laser. With the tilt adaptor, inclines of up to 90° can be set manually. Quick adjustment with 6 stages and additional fine adjustment. Scale with % and ° units. Ideal for creating slopes or refurbishing roofs. Incl. circular level, built-in sighting device, 5/8" connecting thread and Quick-Fix system.



Features:

- Accuracy: $\pm 1^\circ$
- Coarse and fine adjustment for quick height settings
- 5/8" thread for all rotating lasers
- Scale with degree and percent graduations
- Made of high-quality cast aluminium

Ref.-No. 461 047



Nedo Heavy-Duty Tripod Bag

Length: 51"

Ø: 8"

Ref.-No. 655 112-613





In retrofitting, the Quick-Fix adapter plate is attached to the tripod with the retaining screw, and the round Quick-Fix adaptor is attached to the instrument.



Accessories for Tripods

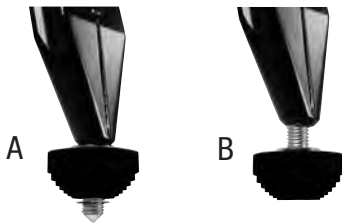


Nedo Quick-Fix

Quick-Fix is an innovative rapid locking system for attaching a level or laser to a tripod. The instrument can be fixed to the tripod without the need for a 5/8" x 11 clamping screw. No damage from falling, no wasted time.

Quick-Fix fits any tripod with a 5/8" mounting thread.

Ref.-No. 572 111



Nedo Combi Tripod shoes

For work on uneven outdoor terrain activate the steel points by screwing in the rubber balls (fig. A). Hide the steel points with the rubber balls when working on smooth or sensitive floors (fig. B).

Thread: M10

Suitable for Tripods:

Ref.-No. 200 100-185, 200 200-185, 210 443-185, 200 511, 200 513-185, 200 514-185, 200 533-185, 200 534-185, 210 530-185 and 210 540-185

Ref.-No. 660 121



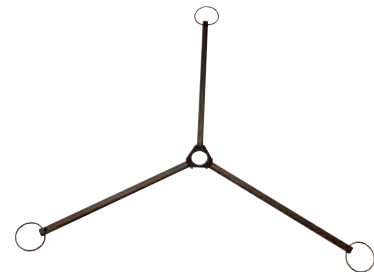
Tripod Castors Set

Accessory for heavy-duty elevating tripods with leg struts. Simply remove the tripod points and replace them with the tripod castors. Each castor is equipped with a brake. The set consists of three tripod castors. Thread: M10

Suitable for Tripods:

Ref.-No. 210 683-185 and 210 443-185

Ref.-No. 660 110



Tripod Star / Tripod Stabilizer

The Nedo tripod star is especially useful for securing tripods in indoor work on smooth or slippery floors.

Ref.-No. 665 111





SURVEYING EQUIPMENT

120 Years of Experience in the Manufacture of Surveying Accessories

The Nedo brand is inseparably linked with the surveying industry. For 120 years we have worked on ways to improve the efficiency of surveying by developing innovative surveying accessories. Thanks to the precision and reliability of our products, the Nedo brand has become synonymous throughout the world for surveying accessories of superior quality.

Nedo surveying accessories have an international reputation. Our Invar leveling rods are used in almost every major surveying project where maximum precision is required: in the 35 miles Gotthard Tunnel in Switzerland, in new high-speed rail lines in China and for earthquake monitoring applications in Japan. Moreover Nedo high precision Invar Rods are used at CERN, the world's largest and most complex scientific research center where physicists and engineers are probing the fundamental structure of the universe.

Thanks to our many years of experience we are thoroughly familiar with operating conditions and requirements for surveying accessories. We know what is important to users and what factors are critical in their day-to-day work. This knowledge is systematically applied when we develop and manufacture our products.



Anti-Jam® buttons made of brass ensure a long life



Fiberglass Leveling Rods and Accessories



Features:

- Extremely robust design
- Anti-Jam® buttons made of brass ensure a long life
- High precision scale on front and back
- Scale on back allowing for overall height readings
- Ergonomically designed shape for a better grip
- Non-conductive under dry conditions
- Laser receiver brackets are easily attachable
- Free carrying bag and snap-on rod level
- Quality and precision “Made in Germany”

Nedo Fiberglass Leveling Rods

Ref.-No.	Product	Scale	Weight
344 885	13.4'	feet, 10ths	5.2 lbs. / 2.4 kg
344 886	13.4'	feet, inches	5.2 lbs. / 2.4 kg
345 885	16.4'	feet, 10ths	5.9 lbs. / 2.7 kg
345 886	16.4'	feet, inches	5.9 lbs. / 2.7 kg
347 885	25'	feet, 10ths	8.3 lbs. / 3.7 kg



Free carrying bag and snap-on rod level



Button with metal reinforcement

Aluminum Leveling Rods and Accessories



Features:

- Extra strong aluminum profiles
- Metal reinforced buttons
- Scale on back allowing for overall height readings
- Snap-on rod level available as accessory
- Different sizes and scales available
- Including bag

Nedo Aluminum Leveling Rods

Ref.-No.	Product	Scale	Weight
344 185-613	13'	feet, 10ths	3.3 lbs. / 1.5 kg
344 186-613	13'	feet, inches	3.3 lbs. / 1.5 kg
345 185-613	16'	feet, 10ths	3.9 lbs. / 1.8 kg
345 186-613	16'	feet, inches	3.9 lbs. / 1.8 kg

Nedo Aluminum Leveling Rods with Metric Scale

Ref.-No.	Product	Graduation on the rear	Adjustable rod level	Scale	Weight
344 122-185	4 m	2	no	metric/E block	3.3 lbs. / 1.5 kg
345 122-185	5 m	2	yes	metric/E block	3.9 lbs. / 1.8 kg



Graduation on back
Perfekt for leveling
applications



Nedo Aluminum leveling rods with adjustable circular bubble



The European research center **CERN** operates the world's largest Hadron Collider (LHC). Here elementary particles are accelerated to nearly the speed of light and then made to collide. Scientists use these experiments to explore conditions at the time of the Big Bang, when matter came into being.

The experiments are performed in a nearly 17 miles tunnel which houses a ring of super-conducting magnets. These magnets as well as countless sensors must be kept in perfect alignment. Exact horizontal positioning of these components over a distance of 17 miles was a huge technical challenge. It was solved with Nedo precision Invar leveling rods. The photo shows the inside of the tunnel. A Nedo precision Invar leveling rod has been placed at a reference point on the pipe.



Nedo Precision Invar Leveling Rods

Nedo **precision Invar leveling rods** are used for first-order leveling and for challenging work on large scale construction sites, for example tunnels, roads, dams or power plants. The graduation of the **precision Invar leveling rods** is engraved in the paint coating with an interferometrically controlled laser beam, ensuring superior graduation accuracy and edge sharpness. Random graduation errors are less than ± 0.015 mm.

Nedo **precision Invar leveling rods** outperform the requirements of DIN 18717 / ISO 12858-1 and set standards in terms of accuracy.

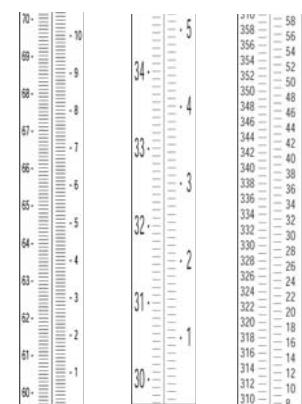
Features:

- Body of Invar rod made of rigid aluminum profile with anodized surface
- Yellow lacquered graduation side; print protected by a 0.1 mm polyester coating
- Invar tape seated in protected groove of staff profile and tensioned by soft spring to compensate the extension coefficient of the rod profile. Extension coefficient: $< 1.5 \times 10^{-6}$
- Foot plate slightly protrudes from rod body
- Foot plate of chrome-alloy, chemically nickel-plated steel; hardened and ground
- Equipped with circular bubble and fold-away handles as a standard. The handles are zined and powder-coated.

Available Invar rod graduations



Rod profile



15a
0.5 cm

17a
1.0 cm

19a
1.0 cm

Nedo Invar Leveling Rods

Ref.-No. Graduation 15a	Ref.-No. Graduation 17a	Ref.-No. Graduation 19a	Length	Weight
391 185	391 187	391 189	1 m	3.0 kg
392 185	392 187	392 189	2 m	4.3 kg
393 185	393 187	393 189	3 m	5.5 kg



Precision Invar Leveling Rod Accessories



Nedo Telescopic Struts

Telescopic struts are available as accessories for 2 m and 3 m precision Invar leveling rods. The easy to handle telescopic struts ensure a secure stand of the precision Invar leveling rods.

Nedo Telescopic Struts

Ref.-No.	Length
399 211	2 m
399 311	3 m

Nedo Transport Case for 2 Invar Rods

Case for safe transport and storage of Nedo precision Invar leveling rods. The **transport case** is made up of a sturdy aluminum frame and strong plastic honeycomb structured wall panels. The corners feature robust protectors. Handles allow for an easy handling. In addition, the case has a foam lining to protect the precision Invar leveling rods. The transport case can accommodate two precision Invar leveling rods, one precision Invar leveling rod with telescopic struts or one precision Invar leveling rod with illumination.

Nedo Transport Case for 2 Invar Rods

Ref.-No.	Length
395 111	for 1m rod length
395 121	for 2m rod length
395 131	for 3m rod length





Self-Illuminating Leveling Rod LumiScale

LumiScale is a self-illuminating leveling rod for digital levels for use under unfavourable light conditions such as underground and tunneling construction projects.

With regard to its precision, self-illuminating leveling rod **LumiScale** fulfills the norm DIN 18703.

The **LumiScale** graduation is back-lit via an electroluminescent foil which uniformly illuminates the entire graduation without any shades. Extensive tests, performed by the University of Graz, Austria, have proven that measuring errors are eliminated thanks to the equable illumination of the graduation.

For this reason the **LumiScale** technology is superior to an external illumination of the graduation.

LumiScale is available with bar codes for all common digital levels.

Features:

- Illuminated graduation
- Illuminated bubble
- Supplied with rechargeable batteries, charger and cushioned bag

Nedo LumiScale

Ref.-No.	
Ref.-No. 340 220-185	LumiScale with Trimble bar code
Ref.-No. 340 222-185	LumiScale with Leica DNA bar code
Ref.-No. 340 223-185	LumiScale with Topcon RAB bar code
Ref.-No. 340 224-185	LumiScale with Sokkia bar code
Ref.-No. 340 225-185	LumiScale with Leica-Sprinter bar code

Technical data:	
Graduation	bar code
Carrier of graduation	polyester film ($\alpha_{TH} < 18 \text{ ppm}/^{\circ}\text{C}$)
Accuracy	$\Delta l = \pm(0.2 \text{ mm} + 2l \cdot 10^{-4})$
Illuminated area	83" x 1" / 2125 mm x 25 mm
Illumination	electroluminescent foil
Power supply	removeable NiMH rechargeable batteries, 2000 mAh
Operation duration	approx. 5.5 h
Circular bubble	illuminated, sensitivity 12'
Protection class	IP 54
Dimensions	87" x 3" x 2.5" / 2200 mm x 70 mm x 60,5 mm
Body of staff	aluminum profile
Weight	approx. 9 lbs. / 4.0 kg (with rechargeable batteries)



Optional Accessory for LumiScale



Adapter for car power outlet

Ref.-No. 030 816





Accessories for Leveling Rods



Base Plate (Turtle)

The base plate is made of powder-coated grey cast iron.

Features:

- Spike
- Weight: 6 lbs. / 2.7 kg

Ref.-No. 333 121



Rod Level

- Metal rod level
- Adjustable
- Sensitivity: 25'

Ref.-No. 471 212



Snap-On Rod Level

- For Nedo 13' aluminum rods

Ref.-No. 350 216-613

- For Nedo 16' aluminum rods

Ref.-No. 350 215-613

- For Nedo Fiberglass rods

Ref.-No. 350 217

Nedo Prism Poles

Lite Prism Poles

Extremely lightweight **prism poles**.

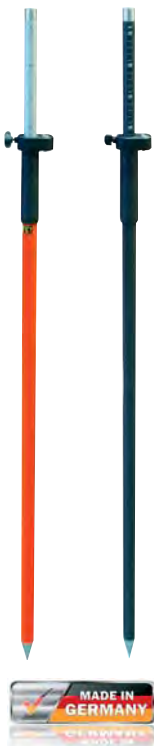
Robust design and ergonomic soft grip for convenient handling. The poles can be taken apart for cleaning without any tools. Including replaceable points made of steel and carrying bag.

Aluminum Prism Pole Ref.-No. 484 650-185

- 5/8" connection thread

Carbon Prism Pole Ref.-No. 484 655-185

- 5/8" connection thread



Nedo Lightweight Prism Poles with Screw Clamp

Ref.-No.	Working range	Transport length	Weight	Accessory
484 650-185	4.1' - 7' / 125 cm - 215 cm	3.6' / 110 cm	1.6 lbs. / 0.74 kg	Incl. case
484 655-185	4.1' - 7' / 125 cm - 210 cm	3.6' / 110 cm	1.1 lbs. / 0.50 kg	Incl. case

Surveying Accessories

Nedo Ranging Pole Support

Nedo ranging pole supports feature a robust design and high stability. Therefore, they can be used for ranging poles as well as for prism poles and GPS poles.



Features Heavy-Duty Ranging Pole Support:

- Heavy-duty design
- Tripod legs with zinc-plated telescope mechanism
- Orange powder-coated metal parts
- Ball joint head with gator clamp
- Height: 31.5" - 55" / 0.80 m - 1.40 m
- Weight: 7 lbs. / 3.2 kg

Ref.-No. 177 212

Sectional Steel Ranging Pole

Features:

- With a point on each meter element
- Cross-section: 1" x 0.3" / 24 mm x 0.8 mm
- PVC coating: approx. 0.04" / 1 mm
- No. of poles in package: 6 pcs.
(12 sections = 6 poles)

Ref.-No. 126 511-625-616





MEASURING TOOLS

Precise Measurement of Lengths and Angles

Nedo measuring tools provide innovative solutions for precise measurement of lengths and angles in interior finishing.

Nedo's mEasure-fix is the classic product in its line of measuring tools. This telescopic rule with an integrated analog display is ideal for quick and precise measurement of clear dimensions, as thousands of users have discovered. It is indispensable in window covering and many other areas of interior finishing.

Winkelfix and **Winkeltronic** measure and transfer angles of all kinds, quickly and precisely. They are essential in carpentry, cabinet making, structural steel work and the construction of kitchens and staircases.



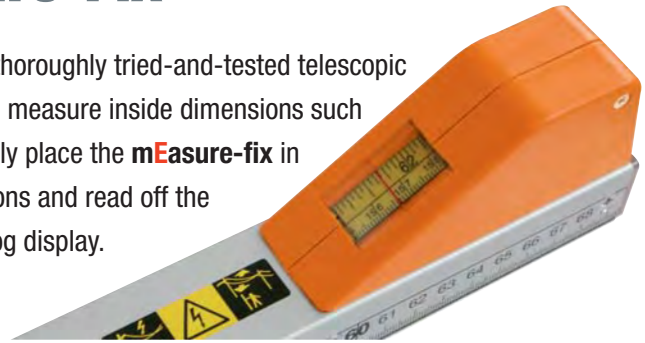


Pull out the telescopic sections and measure precisely



Nedo mEasure-Fix

The Nedo **mEasure-fix** is a thoroughly tried-and-tested telescopic measuring stick, designed to measure inside dimensions such as windows and doors. Simply place the **mEasure-fix** in position, pull out the extensions and read off the measurement from the analog display.



A two-way spirit level attached to the outer tube facilitates taking vertical and horizontal measurements. The built-in metal measuring tape and the heavy-duty rewind mechanism are made to withstand severe stresses and to guarantee accurate measurements at all times. Nedo **mEasure-fix** is far more accurate than any tape measure since the device does not bend. Thanks to its ease of use, reliability and precision Nedo **mEasure-fix** is the perfect length measuring device when accuracy matters.

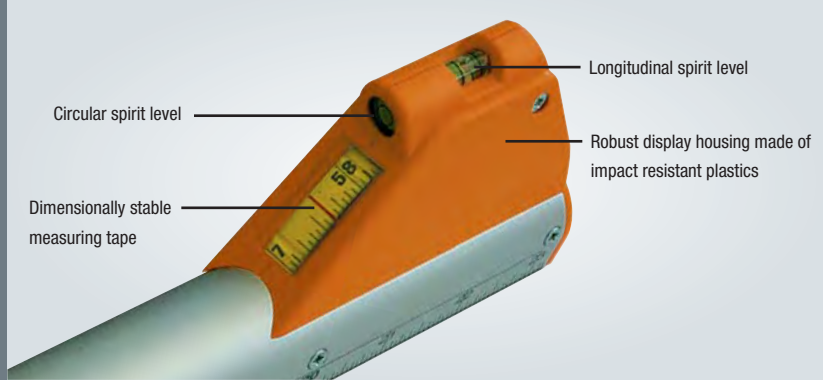


Features:

- Sturdy telescopic measuring stick
- Housing made of impact-resistant plastic
- Bubble for horizontal and vertical alignment
- Telescopic-sections made of sturdy, aluminum profiles
- Supplied with case as a standard

Nedo mEasure-fix

Ref.-No.	Measuring range	Length retracted	Graduations	Weight
F 180 113-185	15" to 39" / 0.37 to 1.00 m	15" / 0.37 m	mm/inch	1.5 lbs. / 0.7 kg
F 280 113-185	21" to 78" / 0.53 to 2.00 m	21" / 0.53 m	mm/inch	2.0 lbs. / 0.9 kg
F 380 113-185	28" to 118" / 0.70 to 3.00 m	28" / 0.70 m	mm/inch	2.4 lbs. / 1.1 kg
F 480 113-185	34" to 157" / 0.86 to 4.00 m	35" / 0.86 m	mm/inch	3.0 lbs. / 1.4 kg
F 580 115-185	43" to 196" / 1.07 to 5.00 m	43" / 1.07 m	mm/inch	3.7 lbs. / 1.7 kg



Pull out the telescopic sections and measure precisely



Nedo mEasure-Fix *compact 10*

The lightweight and handy telescopic measuring stick **mEasure-fix compact 10** is an aggressively priced alternative to the **mEasure-fix**. It is designed to measure interior dimensions quickly, reliably and with the utmost ease. Simply place the **mEasure-fix compact 10** in position, pull out the extensions and conveniently read off the measurement from the analog display. Ideal in interior outfitting. Nedo **mEasure-fix compact 10** is very handy thanks to its compact dimensions, its light weight and its round telescopic tubes.

The display is attached at the foot of the **mEasure-fix compact 10**, so when measuring windows, the measured values can conveniently be read off at eye level. A two-way bubble is integrated into the display housing to facilitate taking horizontal and vertical measurements.

Features:

- Compact dimensions
- Robust display housing with horizontal/vertical bubbles
- Circular telescopic tubes for convenient handling
- Supplied with case as a standard



Nedo mEasure-fix *compact 10*

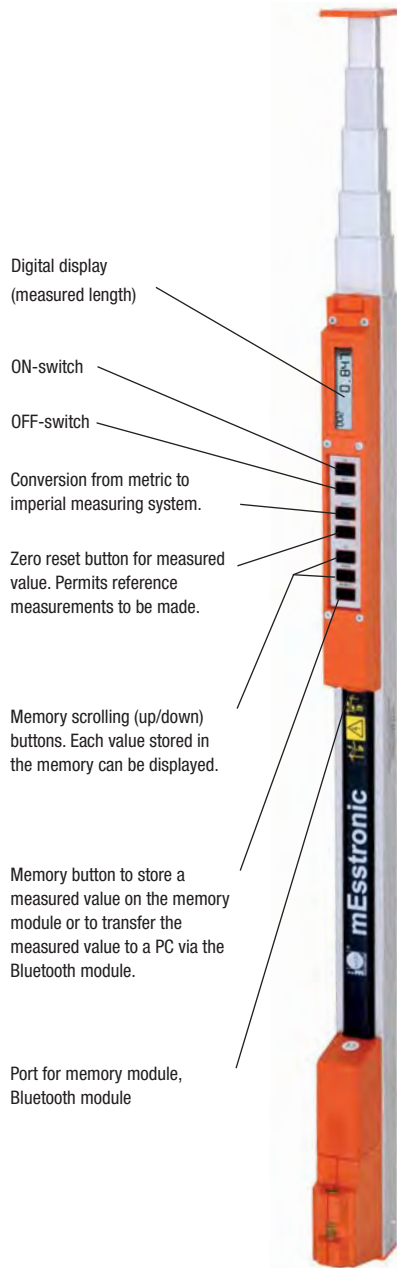
Ref.-No.	Measuring range	Length retracted	Division	Weight
F 380 213-185	24" - 119"	24"	inches / 1/16"	2.0 lbs.



Nedo mEsstronic

Nedo **mEsstronic** is an easy to use electronic measuring tool to measure inside dimensions such as window and door openings. Simply place the **mEsstronic** in position, pull out the telescopic sections and read off the measurement from the digital display. Up to 10 measured values can be stored in the built in internal memory. Additional 511 values can be memorized on the optional Nedo Memory Module.

The optional Bluetooth module *BlueConnect 2* allows to transfer measured data wireless to a laptop computer by Bluetooth.



- Digital display (measured length)
- ON-switch
- OFF-switch
- Conversion from metric to imperial measuring system.
- Zero reset button for measured value. Permits reference measurements to be made.
- Memory scrolling (up/down) buttons. Each value stored in the memory can be displayed.
- Memory button to store a measured value on the memory module or to transfer the measured value to a PC via the Bluetooth module.
- Port for memory module, Bluetooth module

Features:

- Measuring ranges: 118" and 197"
3 m and 5 m
- Power supply: 4 x 1.5 V batteries type (AA) or 4 x 1.2 V rechargeable batteries
- Operation duration: approx. 200 hours (continuous use)
- Automatic switch-off after 3 minutes of non-use
- Zero function: sets reference points for relative measurements
- Internal memory for 10 values
- Port for memory module, Bluetooth module and RS-232 module



Nedo mEsstronic

Ref.-No.	Measuring range	Graduations	Resolution	Weight
583 111	0.70 m to 3.00 m / 28" to 118"	mm/inch	1 mm	3 lbs. / 1.4 kg
585 111	1.04 m to 5.00 m / 41" to 197"	mm/inch	1 mm	4.6 lbs. / 2.1 kg

Accessories for Nedo mEsstronic



Measuring Jaws for mEsstronic

Clip-on **measuring jaws** for easy and convenient measurements of external dimensions.

Ref.-No. 583 500



Nedo Memory Module

The **memory module** stores 511 values measured with the mEsstronic.

Ref.-No. 585 115



Nedo Bluetooth Module *BlueConnect 2*

The **Bluetooth module *BlueConnect 2*** permits simple wireless transmission of measured data from Nedo mEsstronic to a laptop computer or other digital devices such as machine control units.

Ref.-No. 585 230

Features:

- Range: 10 m (class 2)
- Clearly visible blue LED display for operation mode
- Suitable for mEsstronic
- Power supply via mEsstronic
- Port: Bluetooth 2.1, Serial Port Profile, Slave

Degrees can be read off immediately from the analog display.
 Display graduations: $\pm 0.5^\circ$
 Measuring accuracy: $\pm 0.25^\circ$



Nedo Winkelfix

With the Nedo **Winkelfix**, measurements of angles are performed quickly, precisely and with the utmost ease. Simply place the Nedo **Winkelfix** in position and the angle can be rapidly read off from the analog display. Two integral spirit levels ensure true horizontal and vertical positioning. Thanks to its reliability, sturdiness and convenience, the Nedo **Winkelfix** has proven its value to the building trade over and over again. You too will find measuring angles easier with one of our three Winkelfix models! All Nedo Winkelfix models are supplied with a case as a standard.



Winkelfix mini



Winkelfix maxi and shorty



Nedo Winkelfix

Ref.-No.	Shank length	Graduations	Measuring range	Compass points	Weight
500 101-185 shorty	12" / 305 mm	degrees	0 to 180°	no	1.5 lbs. / 0.7 kg
450 111-185 mini	17" / 430 mm	degrees	0 to 180°	no	2.0 lbs. / 0.9 kg
500 111-185 maxi	23" / 600 mm	degrees	0 to 180°	yes	2.6 lbs / 1.4 kg



All Nedo Winkelfix models are supplied with a case as a standard



Winkeltronic
 Degrees can be read off immediately from the illuminated digital display.
 Display graduations: $\pm 0.05^\circ$
 Measuring accuracy: $\pm 0.1^\circ$



Nedo Winkeltronic

The premium digital angle measuring tool for exact measuring and transferring of angles. Accuracy of $\pm 0.1^\circ$. Extremely robust and reliable.

Features:

- Accuracy: $\pm 0.1^\circ$
- Hold function keeps a value on the display
- Zero adjustment at any shank angle
- Illuminated display
- Integrated horizontal and vertical spirit levels
- Power supply: 4 x 1.5 V (AA) batteries or 4 x 1.2 V rechargeable batteries
- Automatic switch-off after 3 minutes of non-use
- Supplied with case as a standard



Nedo Winkeltronic

Ref.-No.	Shank length	Resolution	Measuring range	Weight
405 316-185	23 5/8" / 600 mm	0.05°	0° to 355°	2.9 lbs. / 1.5 kg

Nedo Winkeltronic Easy

Digital angle measuring tool for measuring and transferring angles. Thanks to its light weight and large display, the **Winkeltronic Easy** is ideal for use on construction sites, especially for interior outfitting.

Features:

- Accuracy: $\pm 0.2^\circ$
- Hold function keeps a value on the display
- Zero adjustment at any shank angle
- Integrated horizontal and vertical spirit levels
- Power supply: 2 x 1.5 V (AA) batteries or 2 x 1.2 V rechargeable batteries
- Automatic switch-off after 3 minutes of non-use
- Measurements of absolute, relative and opposite angles
- Supplied with case as a standard



Nedo Winkeltronic Easy

Ref.-No.	Shank length	Resolution	Measuring range	Weight
405 100	15 3/4" / 400 mm	0.1°	0 to 200°	1.4 lbs. / 0.65 kg



Precise surveying and measuring

Caron/East, Inc.

429 N. Mechanic Street
Cumberland, MD 21502

Toll-free 800-25CARON (252-2766)
Fax 301-724-4490

sales@caroneast.com
www.caroneast.com

